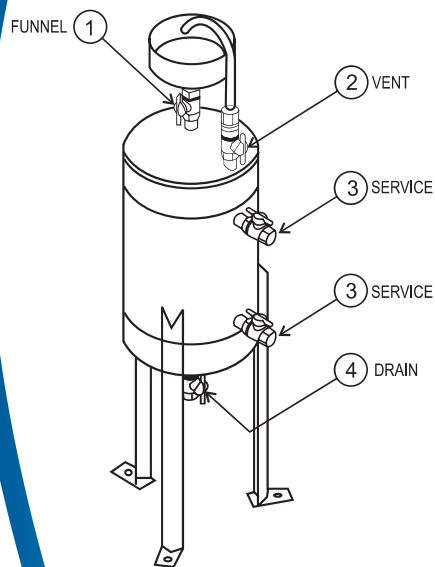


CHEMICAL DOSING POTS



- ***Stainless Steel Construction***
- ***Robust Legs***
- ***14 Litres - 20 Litres***
- ***Other sizes upon request***
- ***Individually pressure tested.***
- ***Readily available - Ex stock!***

Model	Size (L)	Dimensions		Connections				Weight
		O/H	W	1.	2.	3.	4.	
MDP 14-SS	14	1000	219	½" (15mm)				14
MDP 14-SS-21bar	14	1000	219					-

- *Larger sizes available on request*

OPERATION INSTRUCTIONS

1. Close both service valves (3) and open (4) drain dosing pot.
2. When drained, close (4) and open (1) and (2).
3. Add chemical dose through the funnel allowing pot to vent through (1).
4. Close funnel valve (2) and partially open one service valve (3) to fill pot and vent out remaining air through (1).
5. When vented, close valve (1), open both service valves (3) and the system pump will circulate the dose through the system.



184 Newton Rd,
Wetherill Park, NSW, 2164

TEL: (02) 9748 2022

FAX: (02) 9748 2099

Email: sales@masterflow.net.au

Website: www.masterflow.net.au